

# BR-08 1/2" Back Pressure Regulator

## Product Overview

The BR-08 back pressure regulator features improved performance with no exposed metals. It is designed for use in high purity fluid handling applications, including ultra-pure water, aggressive chemicals and slurry applications. The design utilizes a machined PTFE body with precision machined seat and diaphragm sealing area. The large diaphragm allows for greater sensitivity to changes downstream, preventing the effects of pressure surges being transferred upstream.

## Features

One piece precision machined diaphragm manufactured from modified PTFE (provides over five times the flexural life as compared to conventional PTFE)

Non-relieving design requires 5 psi differential across the valve

Tongue and groove diaphragm seal

Positionable mounting ring

Flow direction arrow

## Benefits

High cycle life, lower replacement cost, excellent cleanliness and less downtime

Stabilizes system pressure, better droop characteristics and low hysteresis

Ensures product reliability and contains media from atmosphere

For ease of installation and time savings

Ensures proper installation



## Specifications

### Materials of Construction:

Wetted Surfaces - PFA, Modified PTFE, PTFE  
Non Wetted Surfaces - Polypro, PTFE, PFA, PVDF, SS Ball, PTFE coated SS Spring, SS Spring

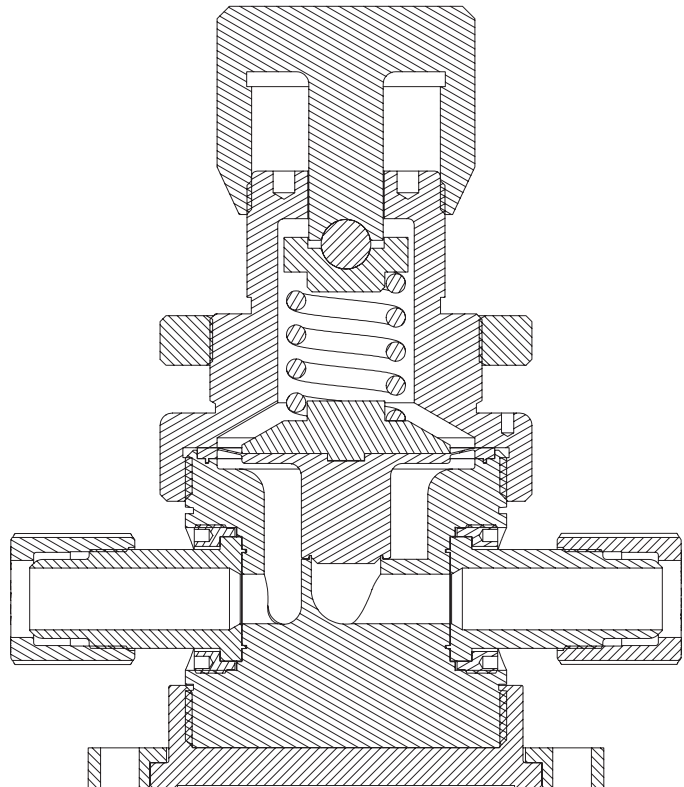
### Pressure Range:

Max Primary (Upstream) Pressure - 120 PSIG (8.3 bar)  
Max Secondary (Downstream) - 60 PSIG (4.1 bar)

Pressure ranges above are for operation at ambient temperature. For use at higher temperatures consult Pressure vs. Temperature chart on page 3 of catalog 4183.

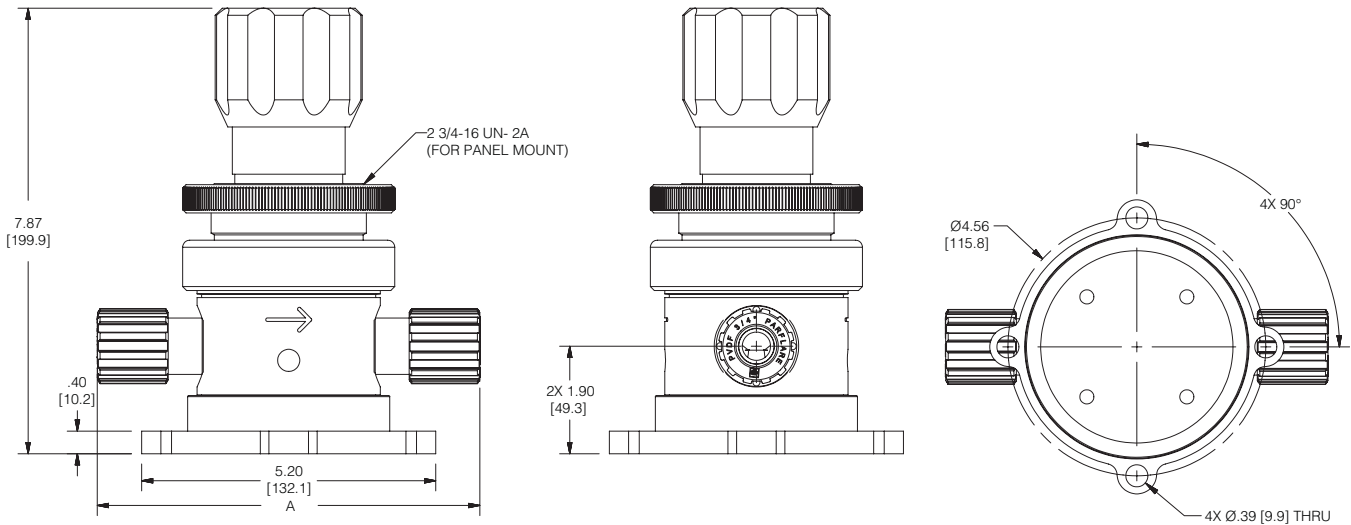
### Temperature Range:

0°F - 150°F (-17°C - 66°C) Ambient  
0°F - 266°F (-17°C - 130°C) Fluid



# BR-08 1/2" Back Pressure Regulator

BRACKETED DIMENSIONS  
ARE IN mm.



Part Number	Body Material	Housing Material	Secondary Pressure	Port Connection	Panel Nut	A inch [mm]
BR-08-52608	PTFE	POLYPRO	0-60 PSIG	1/2" Parflare	No	6.29 [159.77]
BR-08-52612				3/4" Parflare		6.77 [171.96]
BR-08-52708				1/2" Parbond		6.19 [157.23]
BR-08-52712				3/4" Parbond		6.19 [157.23]
BR-08-52608-P	PTFE	POLYPRO	0-60 PSIG	1/2" Parflare	Yes	6.29 [159.77]
BR-08-52612-P				3/4" Parflare		6.77 [171.96]
BR-08-52708-P				1/2" Parbond		6.19 [157.23]
BR-08-52712-P				3/4" Parbond		6.19 [157.23]

Additional end connections available upon request.