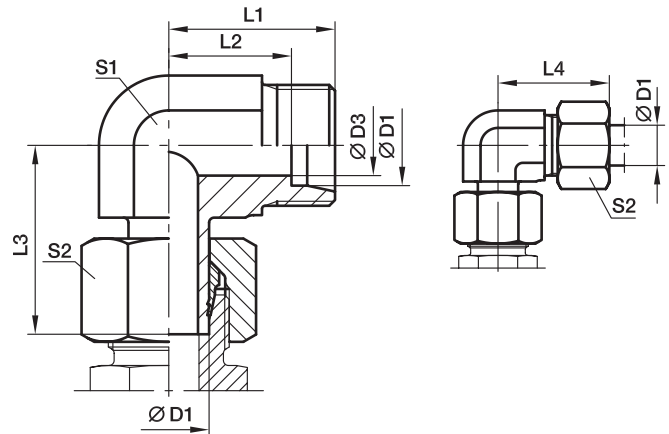


EVW Standpipe elbow

EO 24° cone end / EO stand pipe adjustable



With pre-assembled nut and progressive ring for connection.
Final assembly (in appropriate body) at least 1/4 turn beyond the point of clearly perceptible resistance.

Series	D1	D3	L1	L2	L3	L4	S1	S2	Weight g/1 piece	Order code*	PN (bar) ¹⁾			
											CF	A3C	71	MS
L ³⁾	06	4	19	12.0	26.0	27	12	14	32	EVW06LOMD	315	315	315	200
	08	6	21	14.0	27.5	29	12	17	40	EVW08LOMD	315	315	315	200
	10	8	22	15.0	29.0	30	14	19	54	EVW10LOMD	315	315	315	200
	12	10	24	17.0	29.5	32	17	22	76	EVW12LOMD	315	315	315	200
	15	12	28	21.0	32.5	36	19	27	119	EVW15LOMD	315	315	315	200
	18	15	31	23.5	35.5	40	24	32	192	EVW18LOMD	315	315	315	200
	22	19	35	27.5	38.5	44	27	36	355	EVW22LOMD	160	160	160	100
	28	24	38	30.5	42.0	47	36	41	514	EVW28LOMD	160	160	160	100
	35	30	45	34.5	51.0	56	41	50	536	EVW35LOMD	160	160	160	100
	42	36	51	40.0	60.0	63	50	60	977	EVW42LOMD	160	160	160	100
S ⁴⁾	06	4	23	16.0	27.0	31	12	17	44	EVW06SOMD	630	630	630	400
	08	5	24	17.0	27.5	32	14	19	63	EVW08SOMD	630	630	630	400
	10	7	25	17.5	31.0	34	17	22	95	EVW10SOMD	630	630	630	400
	12	8	29	21.5	31.0	38	17	24	110	EVW12SOMD	630	630	630	400
	14	10	30	22.0	35.0	40	19	27	137	EVW14SOMD	400	400	400	250
	16	12	33	24.5	37.5	43	24	30	211	EVW16SOMD	400	400	400	250
	20	16	37	26.5	44.5	48	27	36	306	EVW20SOMD	400	400	400	250
	25	20	42	30.0	50.0	54	36	46	558	EVW25SOMD	400	400	400	250
	30	25	49	35.5	55.0	62	41	50	724	EVW30SOMD	400	400	400	250
	38	32	57	41.0	66.5	72	50	60	1307	EVW38SOMD	315	315	315	200

¹⁾ Pressure shown = item deliverable

³⁾ L = light series; ⁴⁾ S = heavy series

$$\frac{\text{PN (bar)}}{10} = \text{PN (MPa)}$$

Delivery without nut and ring. Information on ordering complete fittings see page 17.

*Please add the **suffixes** below according to the material/surface required.

Order code suffixes		
Material	Suffix surface and material	Example
Steel, zinc plated, chrome ⁶ -free	CF	EVW16SOMDCF
Steel, zinc yellow plated	A3C	EVW16SOMDA3C
Stainless Steel	71	EVW16SOMD71
Brass	MS	EVW16SOMDMS