

# Needle Valves

## Block and Bleed

# MVBB Series

*Pressures to 20,000 psi (1379 bar)*

Parker Autoclave Engineers series MVBB block and bleed valve is a two stem manifold valve providing an economical and convenient method of blocking, bleeding and calibrating pressure transmitters and gauges. The valve utilizes the mini valve packing and stem design making it compact and easy to use. The valve can be surface or panel mounted for safe operation. In addition, manifold style valves reduce the number of fittings and space required for installation.

### *Block and Bleed Features:*

- MVBB Series valve design provides large valve performance in a small package
- Tubing sizes: 1/4" and 3/8"
- Rising stem/barstock body design.
- Metal-to-metal seating achieves bubble-tight shut-off, longer stem/seat life in abrasive flow, greater durability for repeated on/off cycles and excellent corrosion resistance.
- PTFE encapsulated packing provides dependable stem and body sealing.
- Stem and packing gland design have been selected to achieve extended thread cycle life and reduced handle torque.

Parker Autoclave Engineers valves are complemented by a complete line of fittings, tubings and accessories. The MVBB Series uses Parker Autoclave Engineers' medium pressure connections. This coned and threaded connection provides a reliable bubble-tight seal for dependable performance in gas or liquid service.



**Autoclave  
Engineers**   
[www.autoclave.com](http://www.autoclave.com)

# Needle Valves - MVBB Series

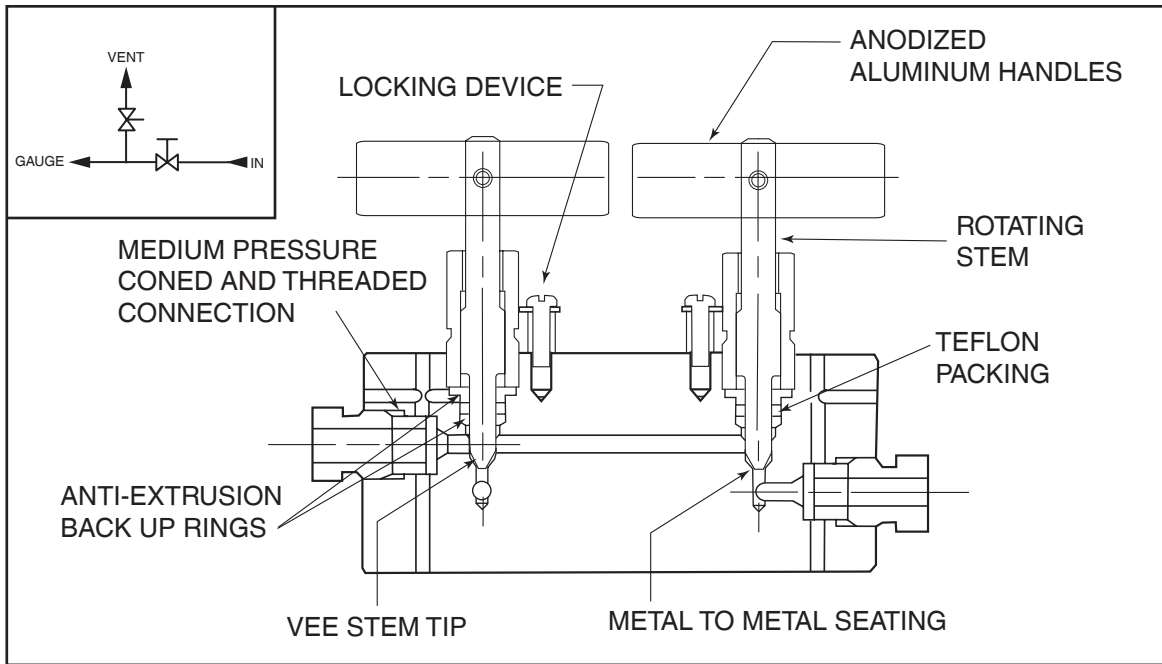
Pressures to 20,000 psi (1379 bar)



Tube Outside Diameter Size Inches	Connection Type	Orifice Size Inches (mm)	Rated C <sub>v</sub>	Pressure Rating psi (bar) @ Room Temperature**
1/4	SF250CX	0.093 (2.36)	0.20	20,000 (1379)
3/8	SF375CX	0.093 (2.36)	0.20	20,000 (1379)

Notes:

\*\* For complete temperature ratings see pressure/temperature rating guide in Technical Information section.



To ensure proper fit use Autoclave tubing

## Valve Options

### Extreme Temperatures

Standard Parker Autoclave Engineers valves with PTFE packing may be operated to 450°F (232°C). High temperature packing is available for service from 0°F (-17.8°C) to 800°F (427°C) by adding the following suffixes to catalog order number.

**TG** standard valve with PTFE glass packing to 600°F (316°C)

**GY** standard valve with Graphite braided yarn packing to 800°F (427°C).

**B** standard valve with cryogenic trim material and PTFE packing to -100°F (-73°C).

For additional valve options, contact your Sales Representative.

Note: Refer to the Tools, Installation, Operation and Maintenance section for proper maintenance procedures.

## Basic Repair Kits for 316 SS Material

### MVBB Repair Kit

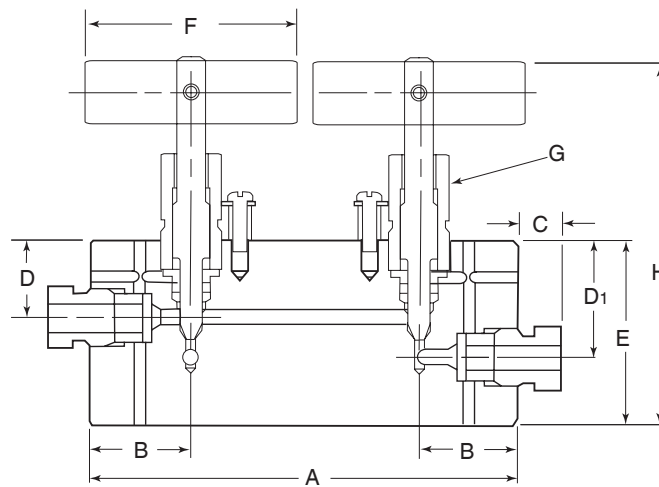
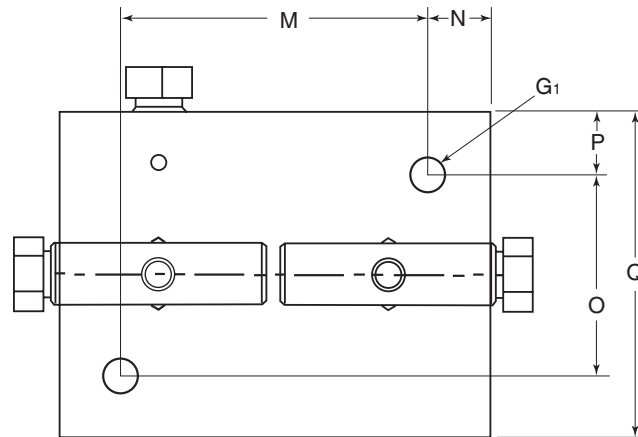
R20MVBB

Consult your Parker Autoclave Engineers representative for other kit numbers, body part numbers, and pricing.

Visit [www.autoclave.com](http://www.autoclave.com) for product Operation manuals.

Catalog Number	Stem Type	Outside Diameter Tube	Orifice Diameter	Dimensions - inches (mm)															
				A	B	C	D	D <sub>1</sub>	E	F	G	G <sub>1</sub>	H*	M	N	O	P	Q	
20MVBB4	VEE	1/4	0.094	3.50	0.813	0.38	0.625	0.938	1.50	1.75	0.63	0.281	2.94	2.50	0.485	1.63	.500	2.625	
		(6.35)	(2.39)	(88.90)	(20.65)	(9.65)	(15.88)	(23.83)	(38.10)	(44.45)	(15.88)	(7.14)	(74.68)	(63.50)	(12.32)	(41.40)	12.70	66.68	
20MVBB6	VEE	3/8	0.094	3.88	1.00	0.44	0.625	0.938	1.50	1.75	0.63	0.281	2.94	2.88	0.50	1.63	.500	2.625	
		(9.53)	(2.39)	(98.60)	(25.40)	(11.10)	(15.88)	(23.83)	(38.10)	(44.45)	(15.88)	(7.14)	(74.68)	(73.15)	(12.70)	(41.40)	12.70	66.68	

For complete information on available options, contact your Sales representative. MVBB Series valves are furnished with connection components unless otherwise specified.



G - Packing gland mounting hole drill size  
G<sub>1</sub> - Bracket mounting hole size

\* H Dimension is with stem in closed position.  
All dimensions for reference only and subject to change.

**For prompt service, Parker Autoclave Engineers stocks select products. Consult factory.**